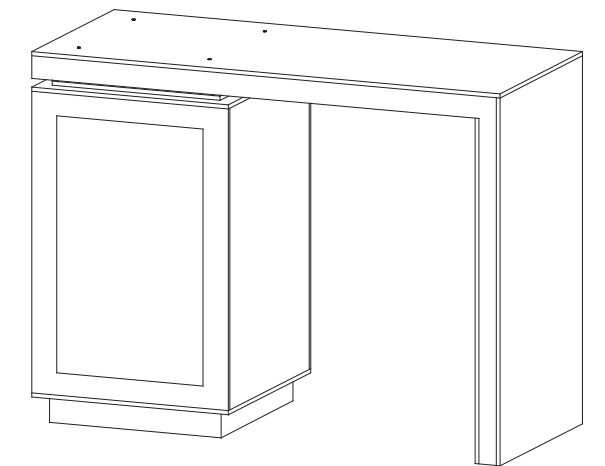
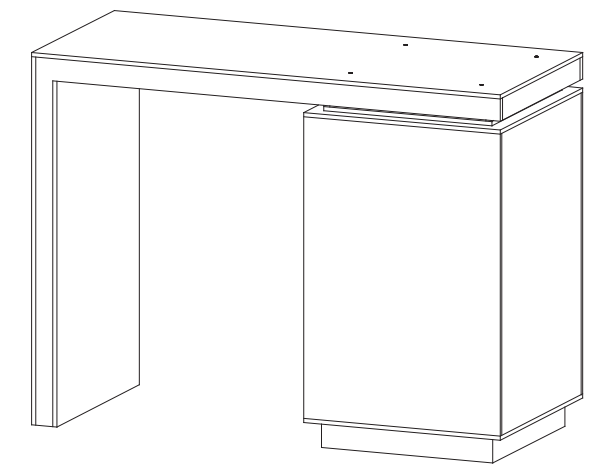
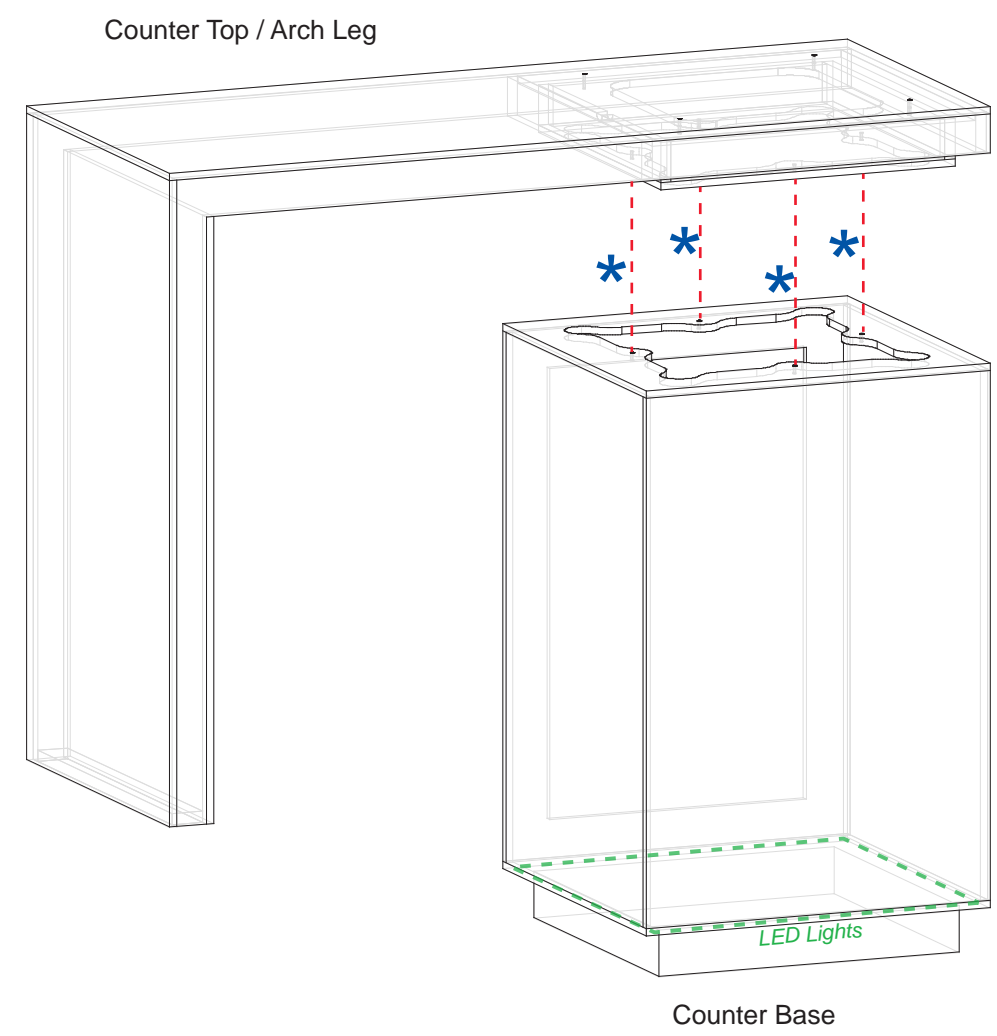
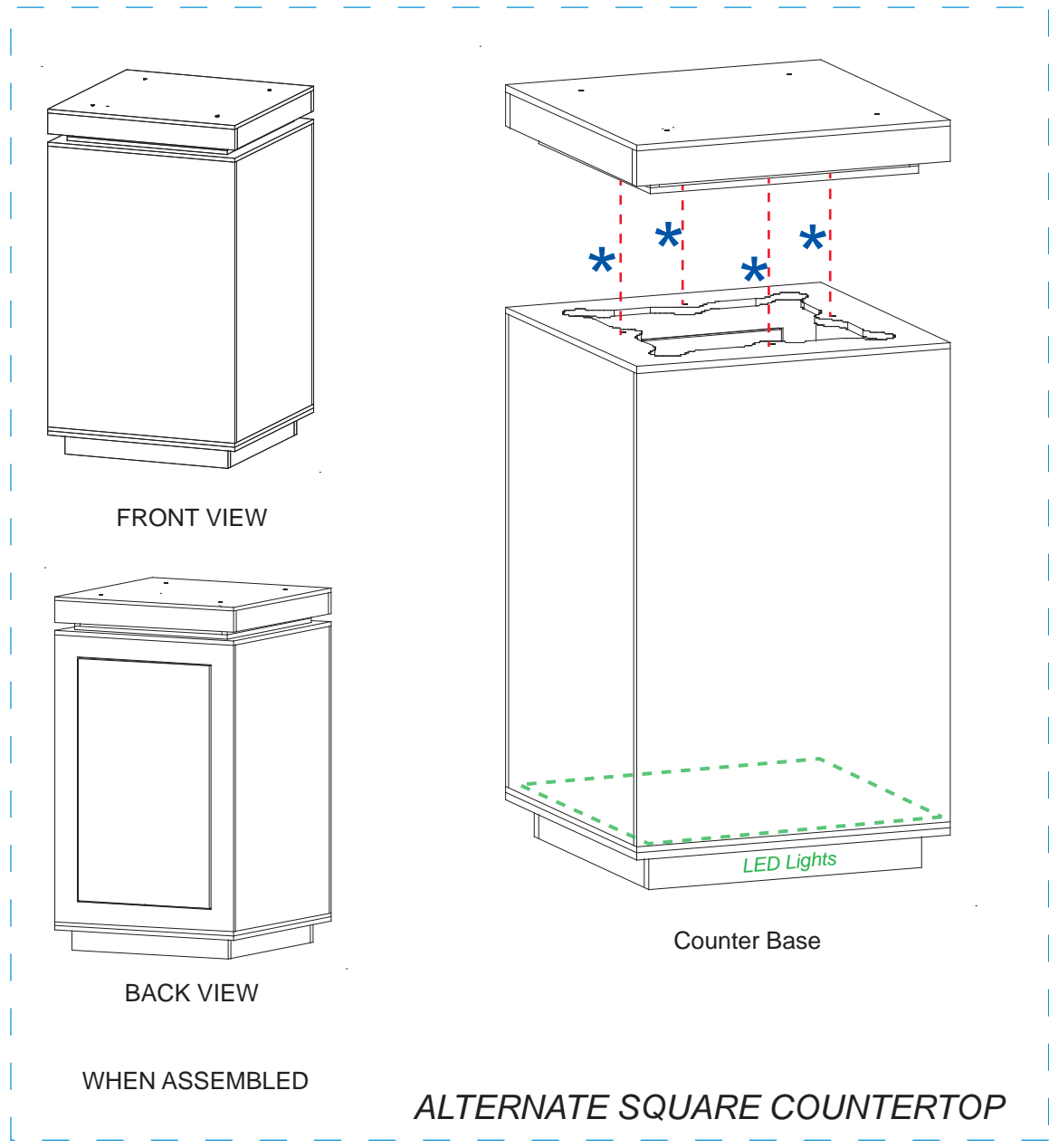
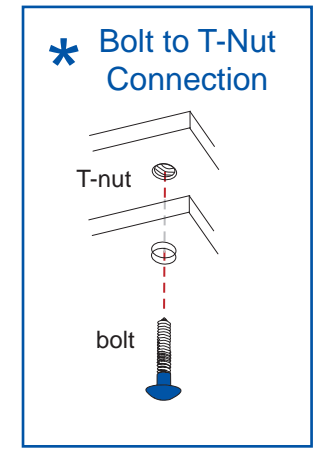


Item	Qty.	Description
--	1	Counter Top / Arch Leg
--	1	Counter Base

- Steps:
- 1) Attach Counter Top to Counter Base using Bolt to T-Nut Connection.
 - 2) Connect power cords to lights under toe kick.



WHEN ASSEMBLED



CRATE PACKING

