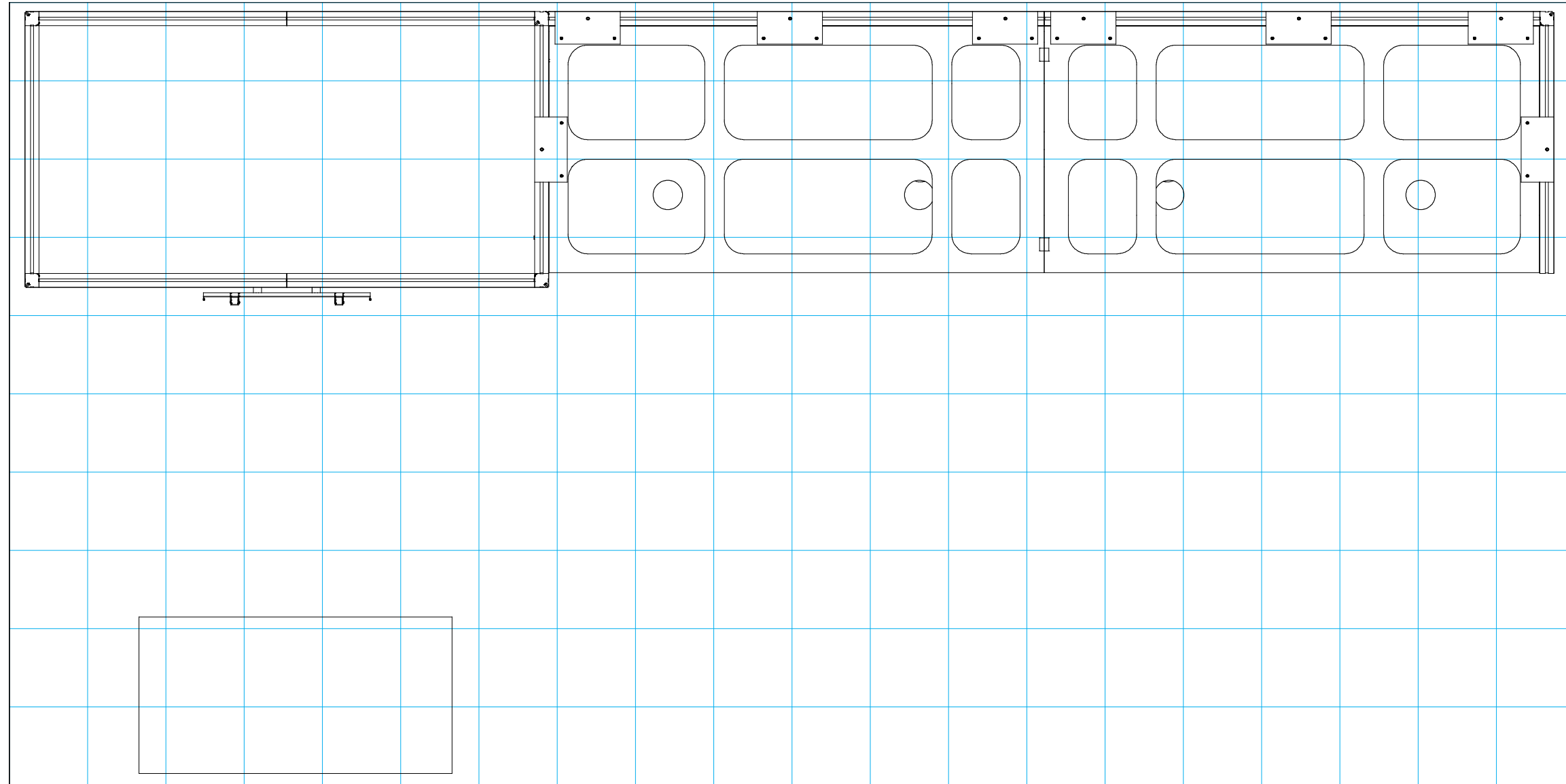



SETUP INSTRUCTIONS



 = 1 sq foot

General Setup Instructions

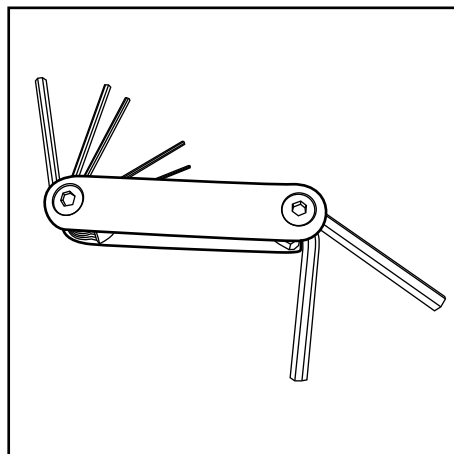
- Read entire setup instruction manual prior to unpacking parts and pieces.
- The setup instructions are created specifically for this configuration.
- Setup instructions are laid out sequentially in steps, including exploded views with detailed explanation for assembly.

Cleaning & Packing

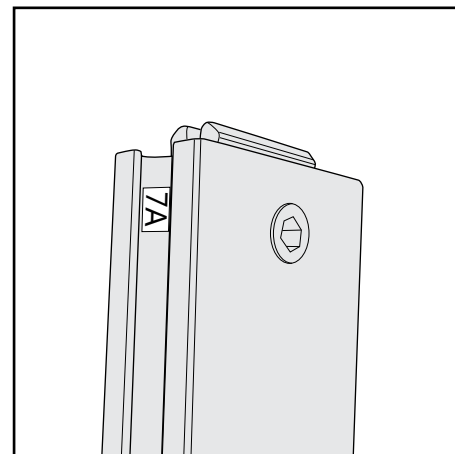
- For Cleaning Metal, Plex, & Laminate Parts: Use a **MILD NON-ABRASIVE** cleanser and soft cloth/paper towel to clean all surfaces.
- Keep exhibit components away from heat and prolonged sun exposure.
Heat and UV exposure will warp and fade components.
- Retain all provided Packing Materials. All provided packing materials are for ease of repacking & component protection.

Disassembly

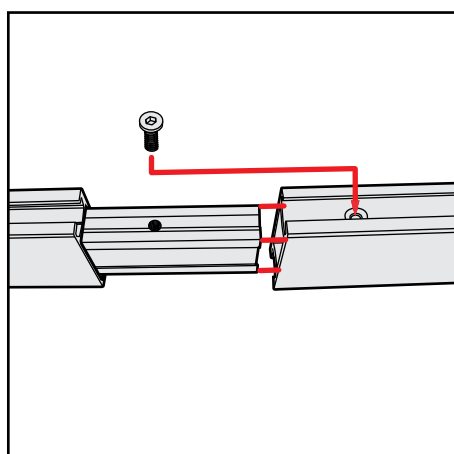
- For loss prevention, tighten all set screws and locks during disassembly.



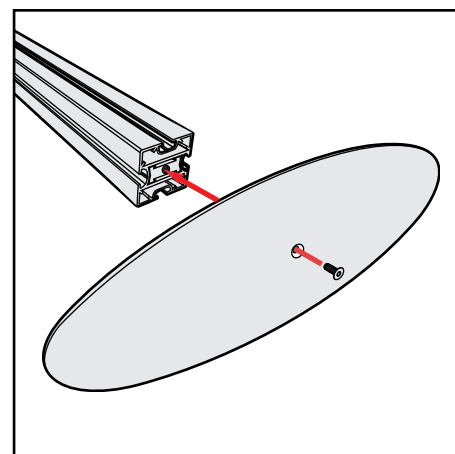
Hex Tool - Essential for Assembly



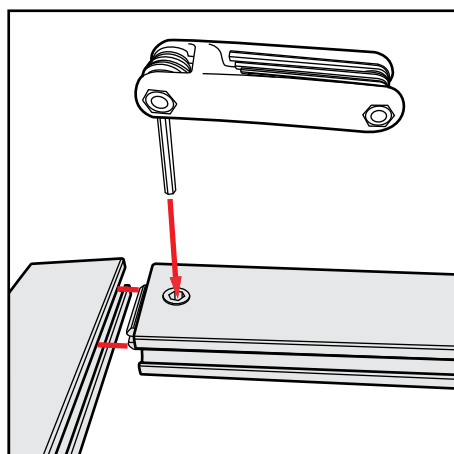
Part Identification - Numbering



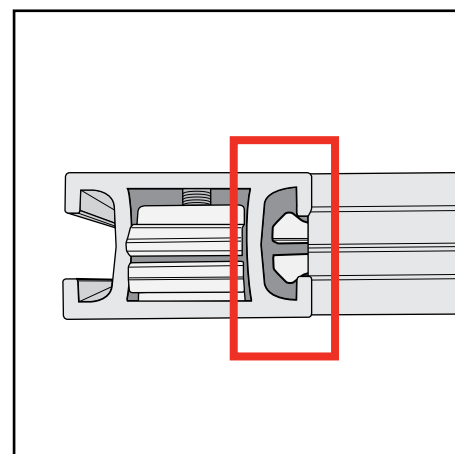
Spline Connection



Base Plate & Extrusion Connection



Extrusion & Lock Connection



Engaged Lock



WARNING



DO NOT USE POWER TOOLS



LADDERS OR LIFTS
MAY BE REQUIRED



ALL CONNECTIONS MUST
BE TIGHTLY SECURED

Controlling the RGB LED lights

Static Mode:

1. Use the Color Ring key to select a color.
2. Saturation is controlled with W/R/G/B keys.
3. White mode is available by long-pressing 'ON' key.
4. Colors (not white) are dimmable with the Brightness key.

Dynamic Mode:

- Press "M" key to cycle through the following options:
1. White light fades in and out.
 2. Several colors fade in and out.
 3. R,G,B three colors fade in and out.
 4. R,G,B three colors flash.
 5. Six colors flash.
 6. Random color flashes.
 7. Red color fades in and flashes.
 8. Green color fades in and flashes.
 9. Blue color fades in and flashes.

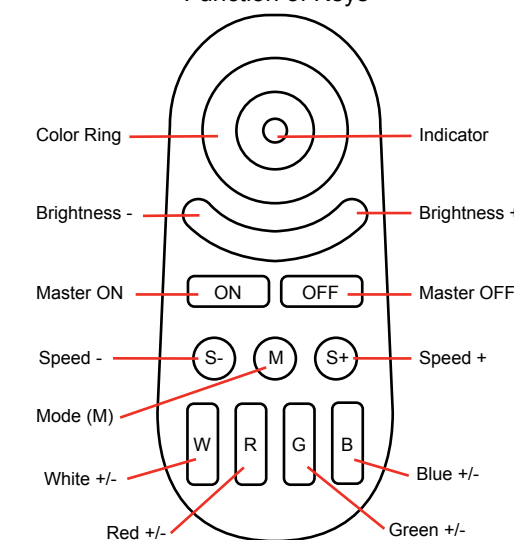
To Pair a Remote with Multiple Units:

1. Power on the lights.
2. Press 'ON' key within 3 seconds.
3. Lights will blink when link is made.

To unpair: Long press 'ON' key within 3 seconds after switching on lights.

Remotes can be paired with one or more receivers. Different receivers can work synchronously even when started at different times (within 30 min).

Function of Keys



Specifications:

- | | |
|-------------------------------|-----------------------------|
| Receiver: | Remote Control: |
| 1. Working voltage: DC12V/24V | 1. Working voltage: 3V |
| 2. Output: Max. 6A/Channel | 2. Standby power: <20uA |
| Total output Max. 10A | 3. Transmitting power: 6dBm |
| 3. Max standby power: 0.5W | |

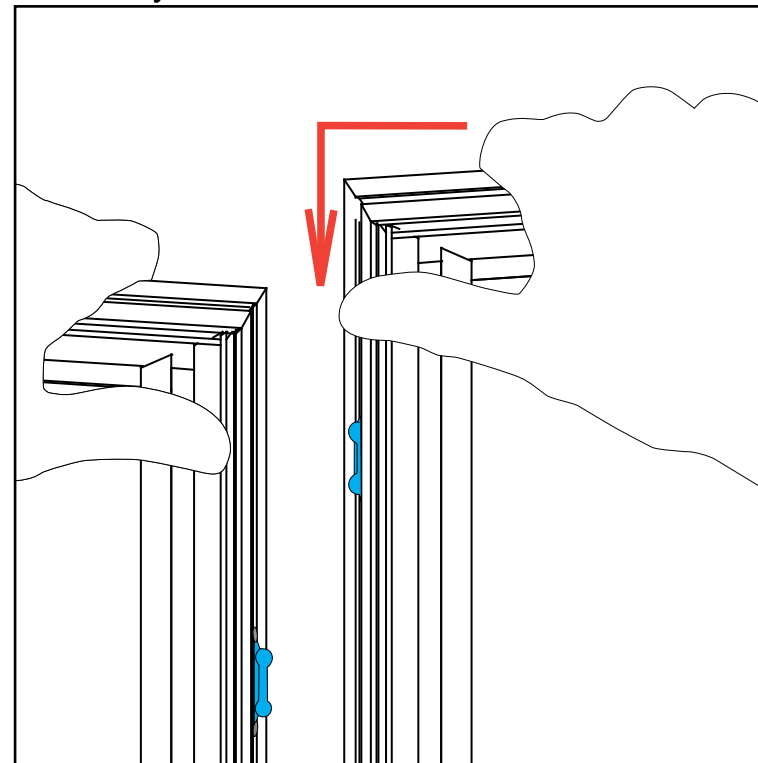
Side-by-Side Assembly

- 1) Frames: Place frames side-by-side with one higher than the other, then slide panel down to lock panels securely together.
- 2) Corner Connectors: Repeat Step 1 for installing corner connectors to frames.

Side-by-Side Disassembly

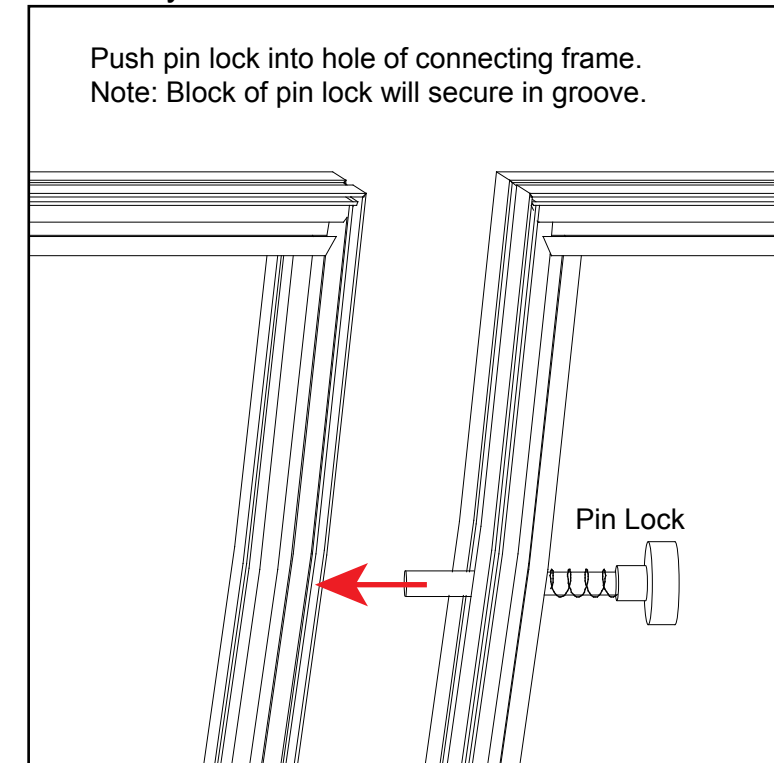
- 1) Pull pin lock outwards to disengage.
- 2) Pull frames upward and apart at the same time to detach.

Assembly

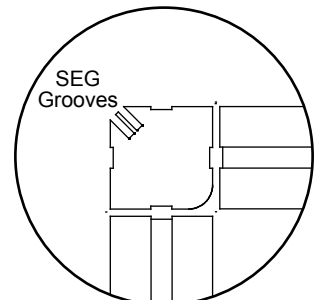


Assembly Cont'd

Push pin lock into hole of connecting frame.
Note: Block of pin lock will secure in groove.



Corner Connector



Top View

Note: Orientation of Corner Connector may change.

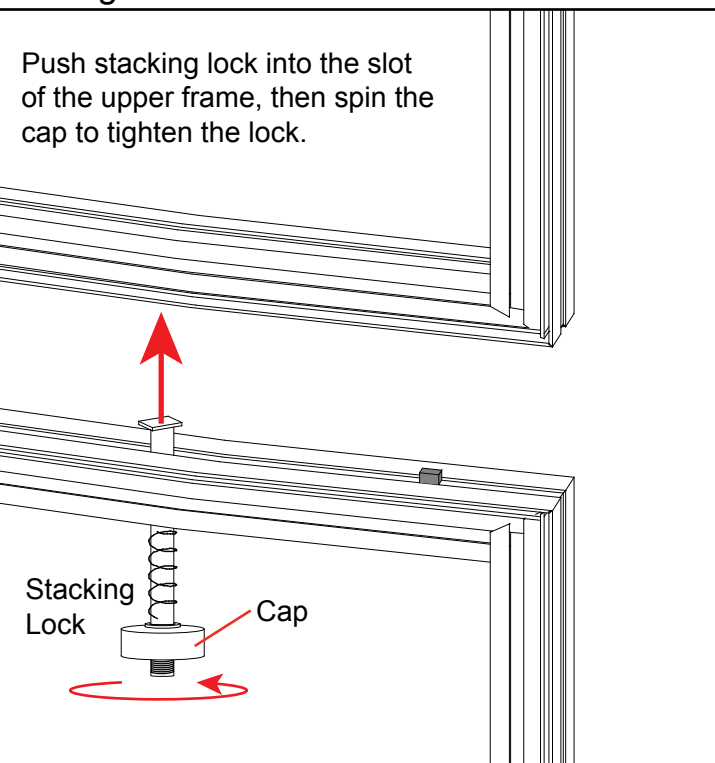
Stacking Assembly

- 1) Place one horizontal frame on top of the other, lining up the center grooves.
- 2) Turn stacking lock clockwise to tighten into place. Repeat for each lock.

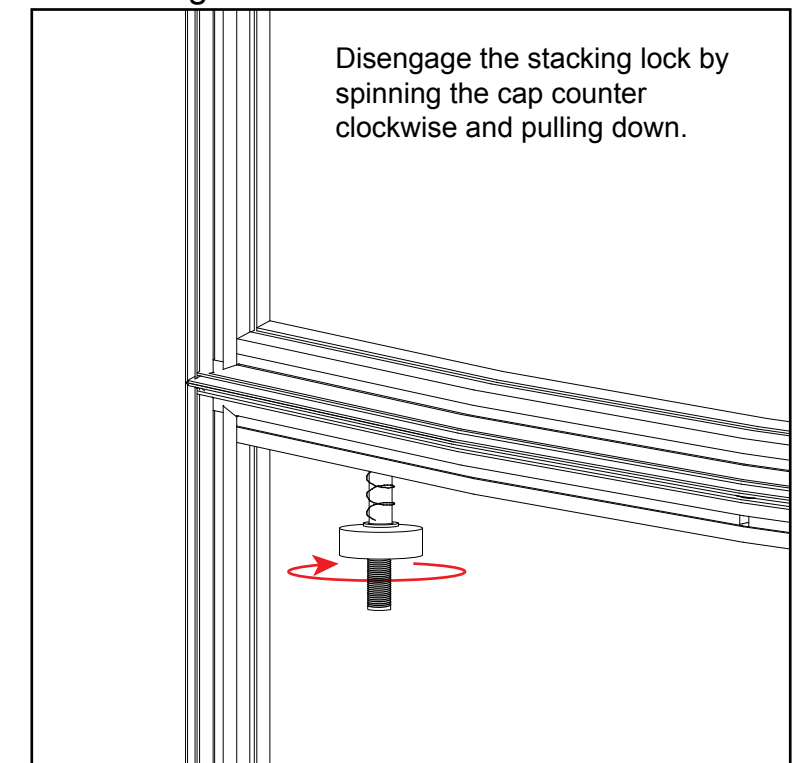
Stacking Disassembly

- 1) Turn the stacking lock counter-clockwise to loosen.
- 2) The whole spring on the stacking lock should be in view to release each frame. The disengaged spring should release the stacking lock. If not, keep turning the stacking lock until it disengages.

Stacking



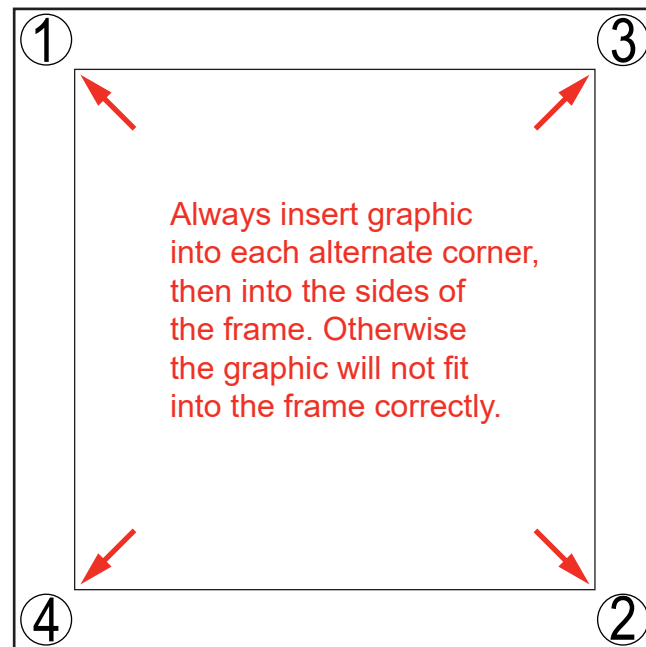
Unstacking



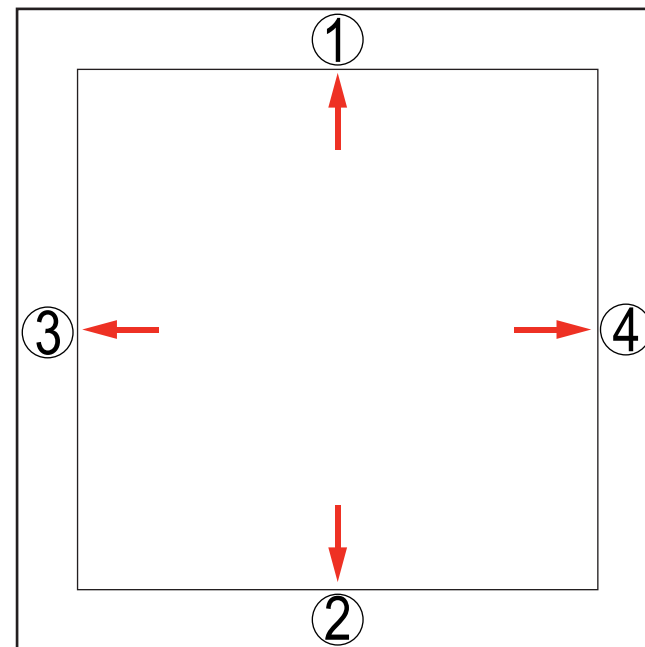
SEG Graphic Installation *in 3 Steps*

The Perfect Fit

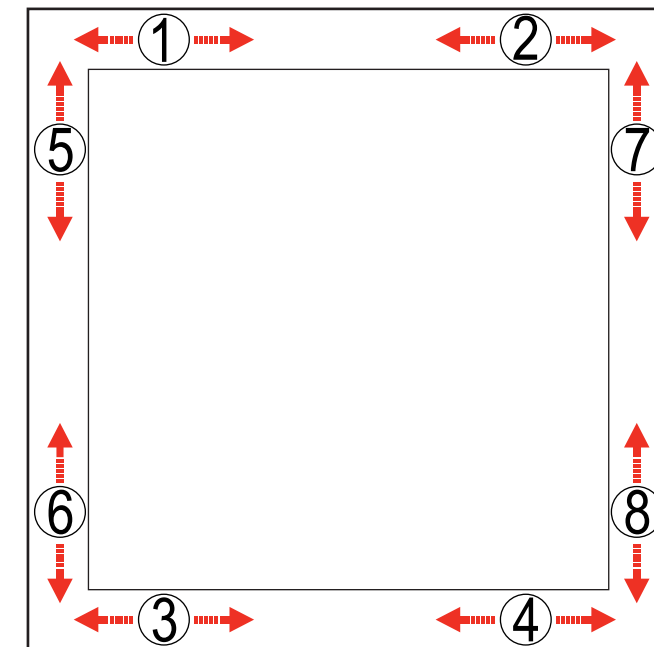
STEP 1: Attach Corners



STEP 2: Attach Middle



STEP 3: Attach Sides



Insert narrow side of silicone welt into the channel at corner 1, with fabric to the outside.

Repeat for opposite corner 2, then corner 3, then corner 4.

Once corners are attached, press the middle of edge 1 into the channel. Then press middle of edge 2 into the channel on opposite side.

Repeat with edge 3 & 4.

Once the middle of sides are attached, fully press the silicone welt into the channel, between center and corner at location 1. Repeat the process between center and corner at location 2.

Do the same for welt on opposite side, at locations 3 & 4. Then repeat for locations 5 & 6 and 7 & 8.

Once the welt is fully inserted on all sides, smooth out edges as needed for a perfect fit.



To remove the graphic from the frame, locate the fabric **pull tab**. Gently pull on the tab to remove the graphic.

Install video:



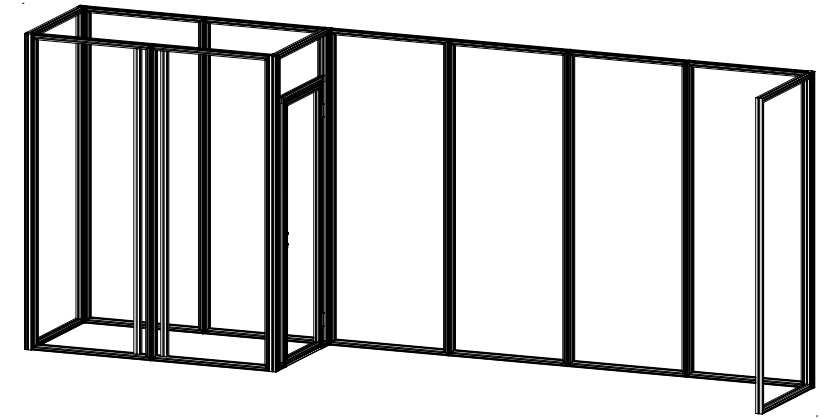
CRATE PACKING

Item	Qty.	Description
1	1	38" w x 95" h Gravitee Panel w/ Door
2	1	94.5" h Gravitee corner post w/ caps
3	1	38" w x 95" h Gravitee Panel w/ S44
4	1	38" w x 95" h Gravitee Panel w/ S44
5	1	94.5" h Gravitee corner post w/ caps
6	1	38" w x 95" h Gravitee Panel
7	1	94.5" h Gravitee corner post w/ caps
8	1	38" w x 95" h Gravitee Panel
9	1	38" w x 95" h Gravitee Panel
10	1	94.5" h Gravitee corner post w/ caps
11	1	38" w x 95" h Gravitee Panel
12	1	38" w x 95" h Gravitee Panel
13	1	38" w x 95" h Gravitee Panel
14	1	38" w x 95" h Gravitee Panel
15	1	94.5" h Gravitee corner post w/ caps
16	1	38" w x 95" h Gravitee Panel

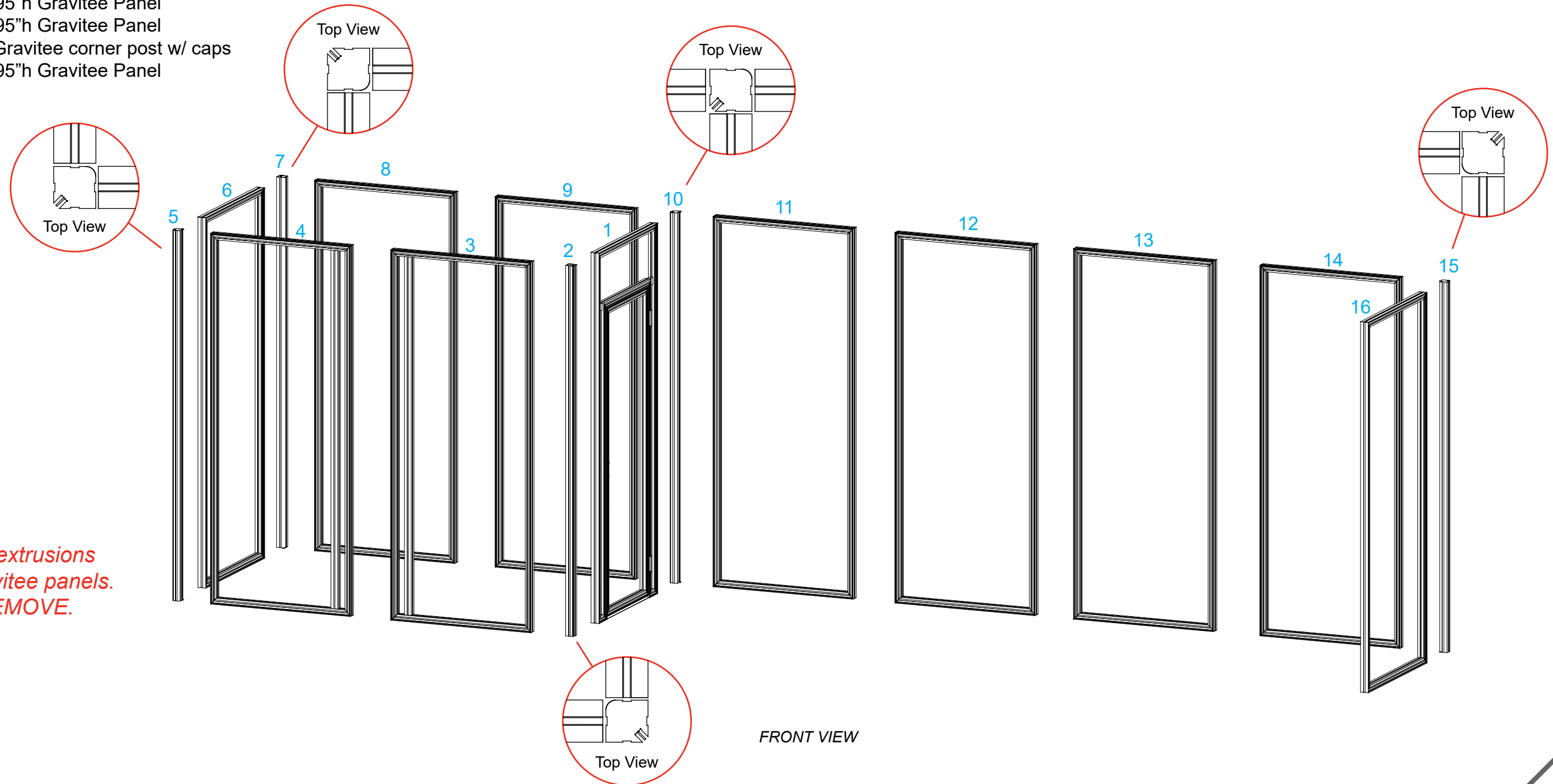
Steps:

Refer to the Gravitee Assembly general information page.

1) Assemble Gravitee panels & posts [1] through [16] in numerical order as shown.



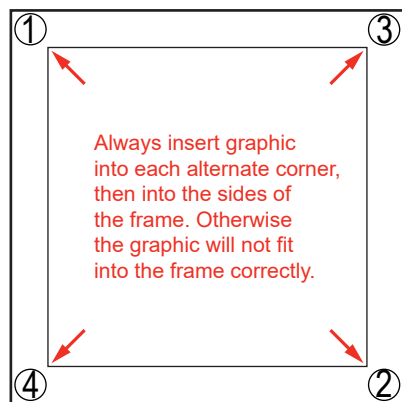
When assembled



Keep internal extrusions attached to Gravitee panels. DO NOT REMOVE.

SEG Graphic Installation

STEP 1: Attach Corners

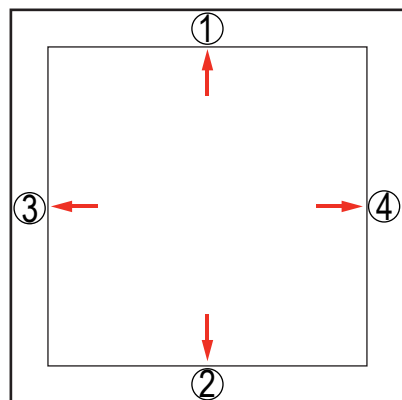


Insert narrow side of silicone welt into the channel at corner 1, with fabric to the outside.

Repeat for opposite corner 2, then corner 3, then corner 4.



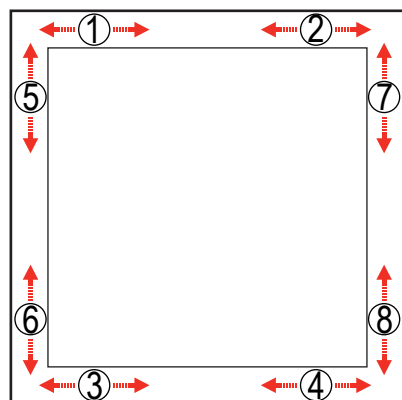
STEP 2: Attach Middle



Once corners are attached, press the middle of edge 1 into the channel. Then press middle of edge 2 into the channel on opposite side.

Repeat with edge 3 & 4.

STEP 3: Attach Sides



Once the middle of sides are attached, fully press the silicone welt into the channel, between center and corner at location 1. Repeat the process between center and corner at location 2.



Do the same for welt on opposite side, at locations 3 & 4. Then repeat for locations 5 & 6 and 7 & 8.



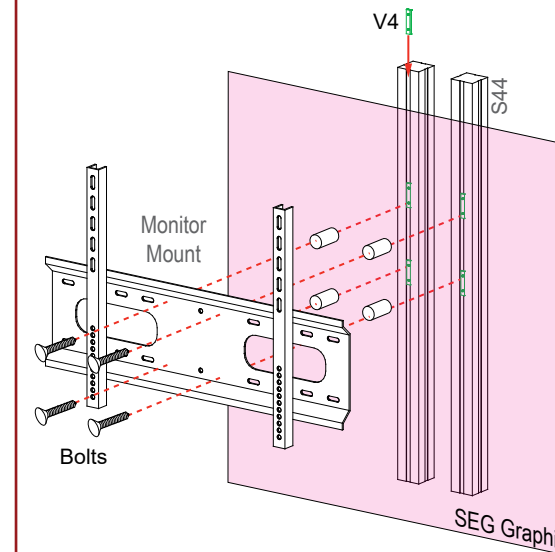
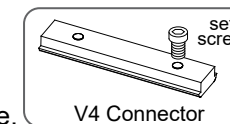
To remove the graphic from the frame, locate the fabric pull tab. Gently pull on the tab to remove the graphic.

Steps:

- 1) Apply SEG graphics & blockers to backwall. Refer to the *SEG Installation general information page*.
- 2) Install Monitor Mount to S44 verticals in panels [3/4]. See *Monitor Mount Attachment* detail.

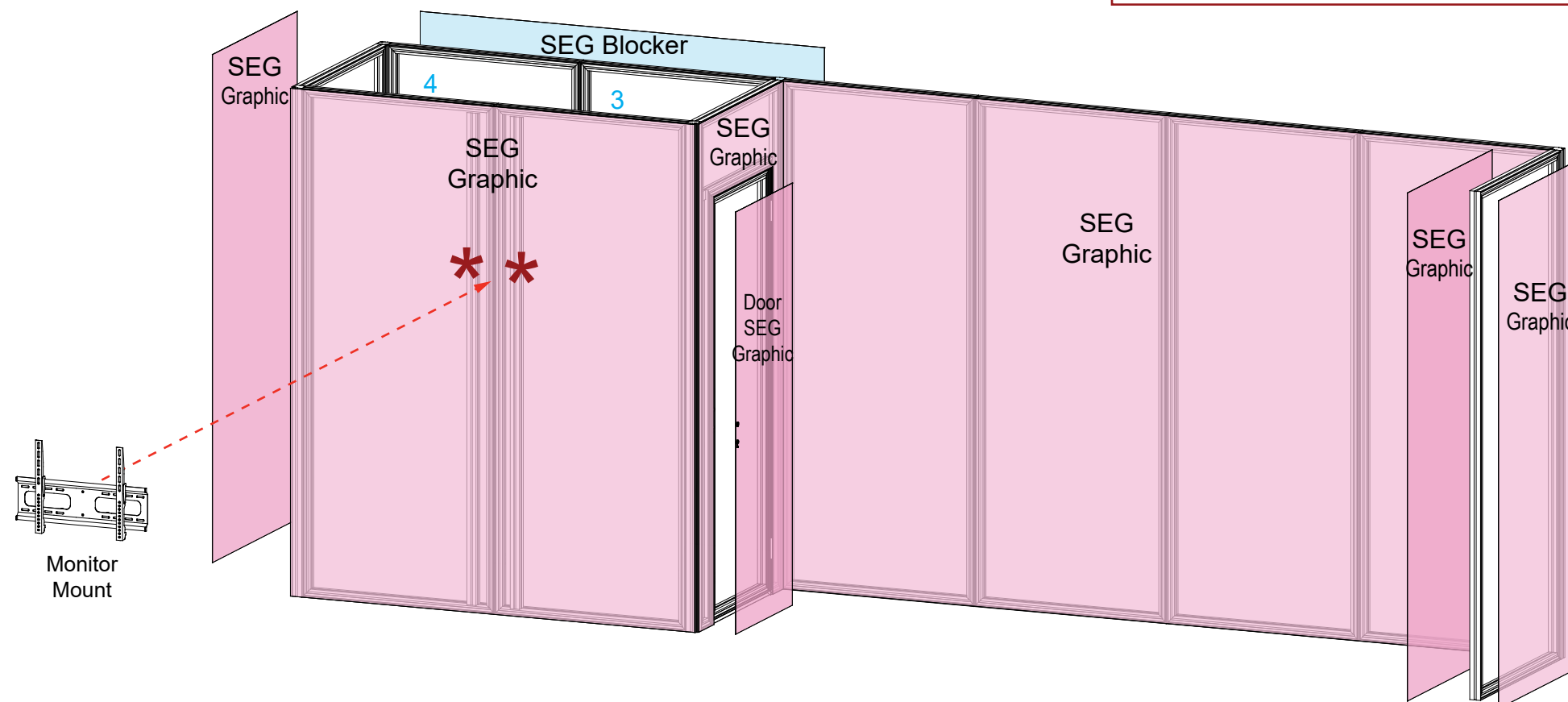
* Monitor Mount Attachment

Slide V4 connectors into vertical channel of extrusions & tighten set screws to secure in place.



Attach Stand-off Barrels to V4 Connectors. Connect Monitor Mount to Standoff Barrels using Bolts.

Note: Monitor mounts install through SEG graphic.

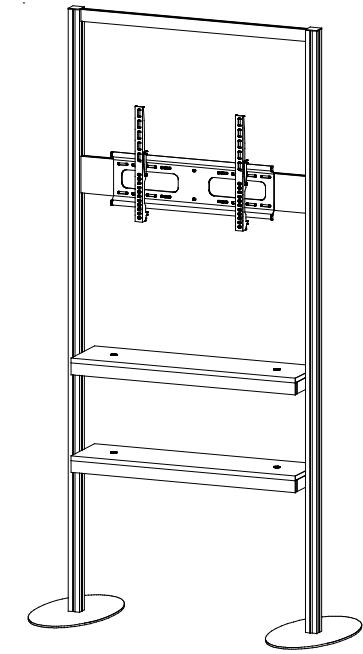


FRONT VIEW

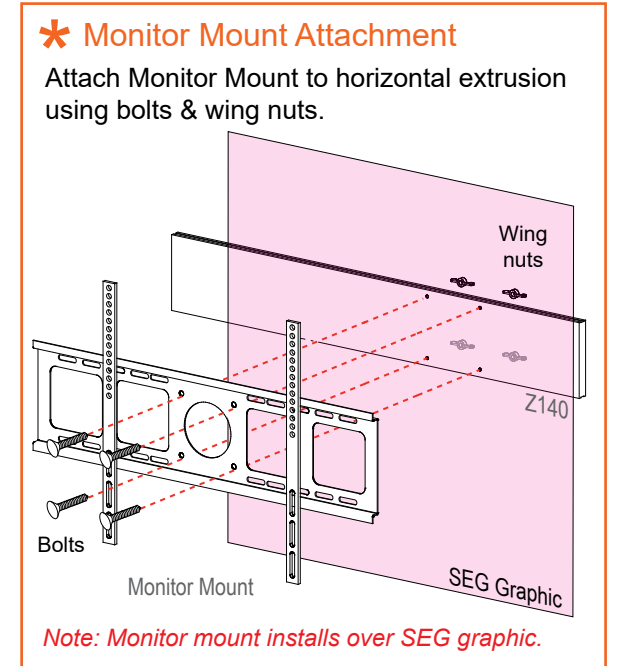
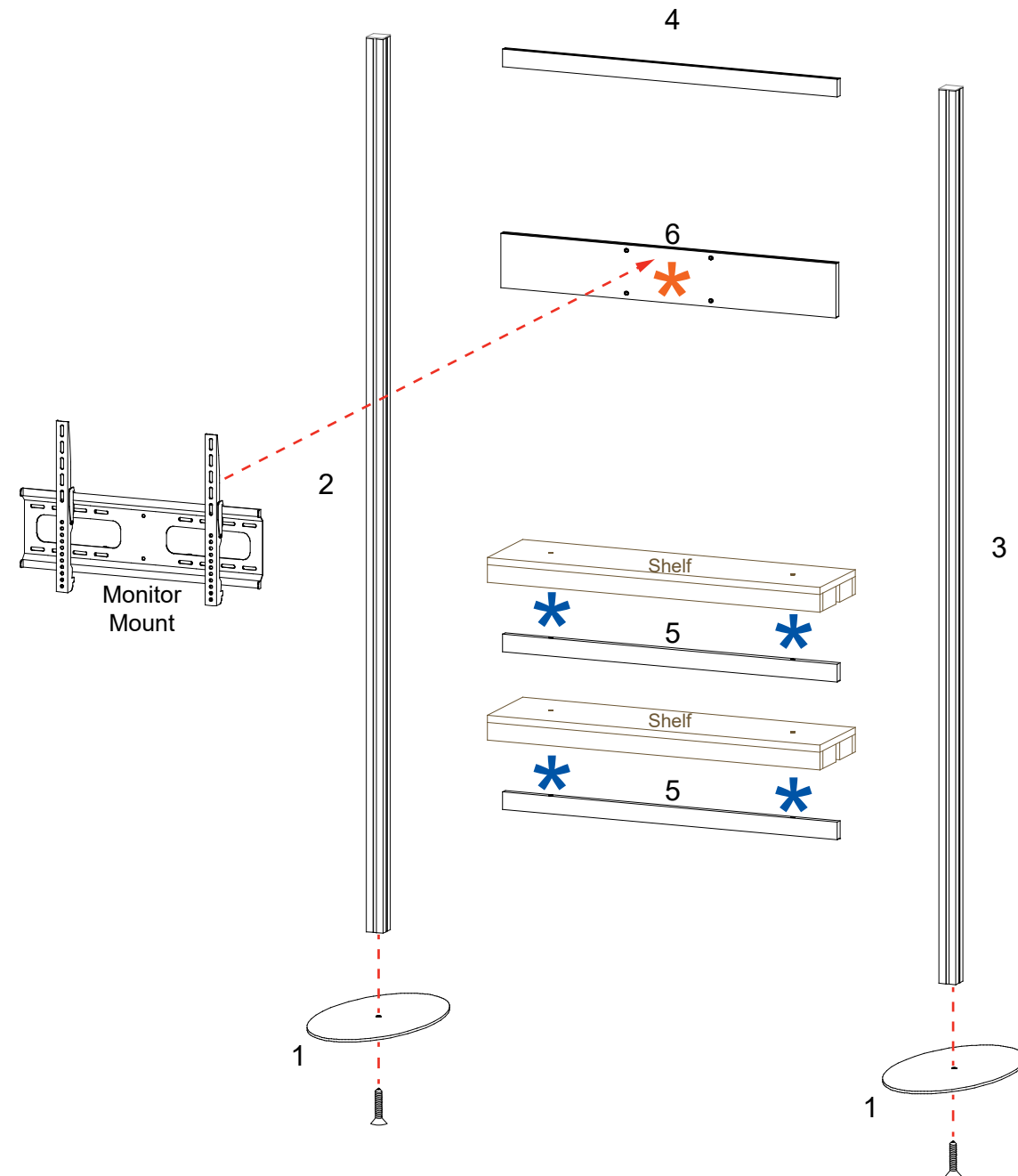
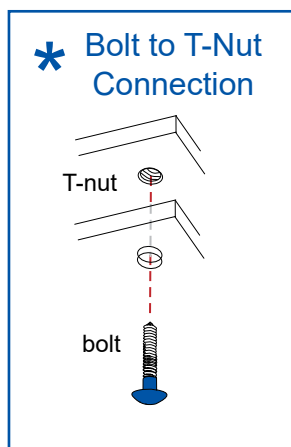
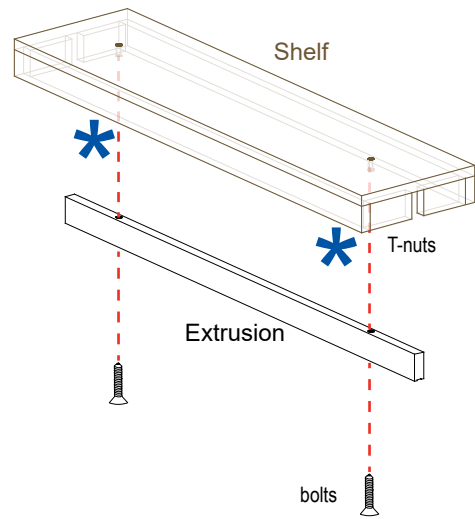
Item	Qty.	Description
1	2	12" x 22.75" SF1 Oval Base Plate
2	1	90.63"h S44 Vertical Extrusion
3	1	90.63"h S44 Vertical Extrusion
4	1	36"w Z45 Horizontal Extrusion
5	2	36"w Z41 Horizontal Extrusion
6	1	36"w Z140 Horizontal Extrusion
--	2	35.75"w x 9"d x 2.5"h Shelf

Steps:

- 1) Attach Base Plates [1] to bottom of verticals [2,3] using bolts.
- 2) Connect horizontal [4] between verticals [2,3], flush with top.
- 3) Attach horizontals [5] between verticals [2,3], connecting Shelves to horizontal [5] using Bolt to T-Nut Connection.
- 4) Connect horizontal [6] between verticals [2,3]; install Monitor Mount to horizontal [6]. See Monitor Mount Attachment detail.



When assembled

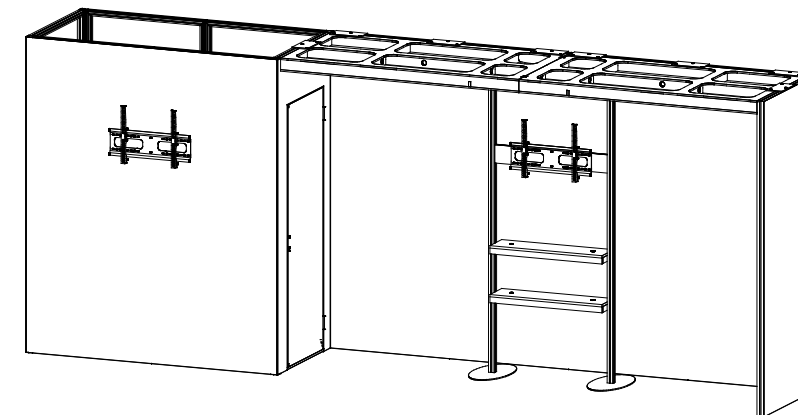


Note: Monitor mount installs over SEG graphic.

Item	Qty.	Description
A	1	75.92"w x 37.8"d x 4"h Ceiling Panel w/ puck lights
B	1	75.92"w x 37.8"d x 4"h Ceiling Panel w/ puck lights
--	8	12" x 5" Custom Bracket

Steps:

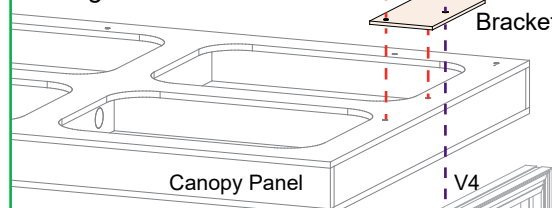
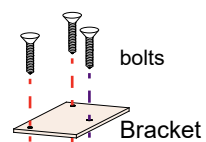
- 1) Assemble Ceiling Panels [A-B] together as shown & secure using roto cam locks. See **Roto Cam Lock Connection** detail.
- 2) Attach Ceiling Panels to top of Gravitee frames using custom brackets. See **Custom Bracket Connection** detail.
- 3) Connect power cords to Puck Lights in ceiling panels. See **Puck Light Connection** detail.



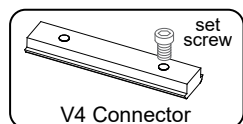
When assembled

*** Custom Bracket Connection**

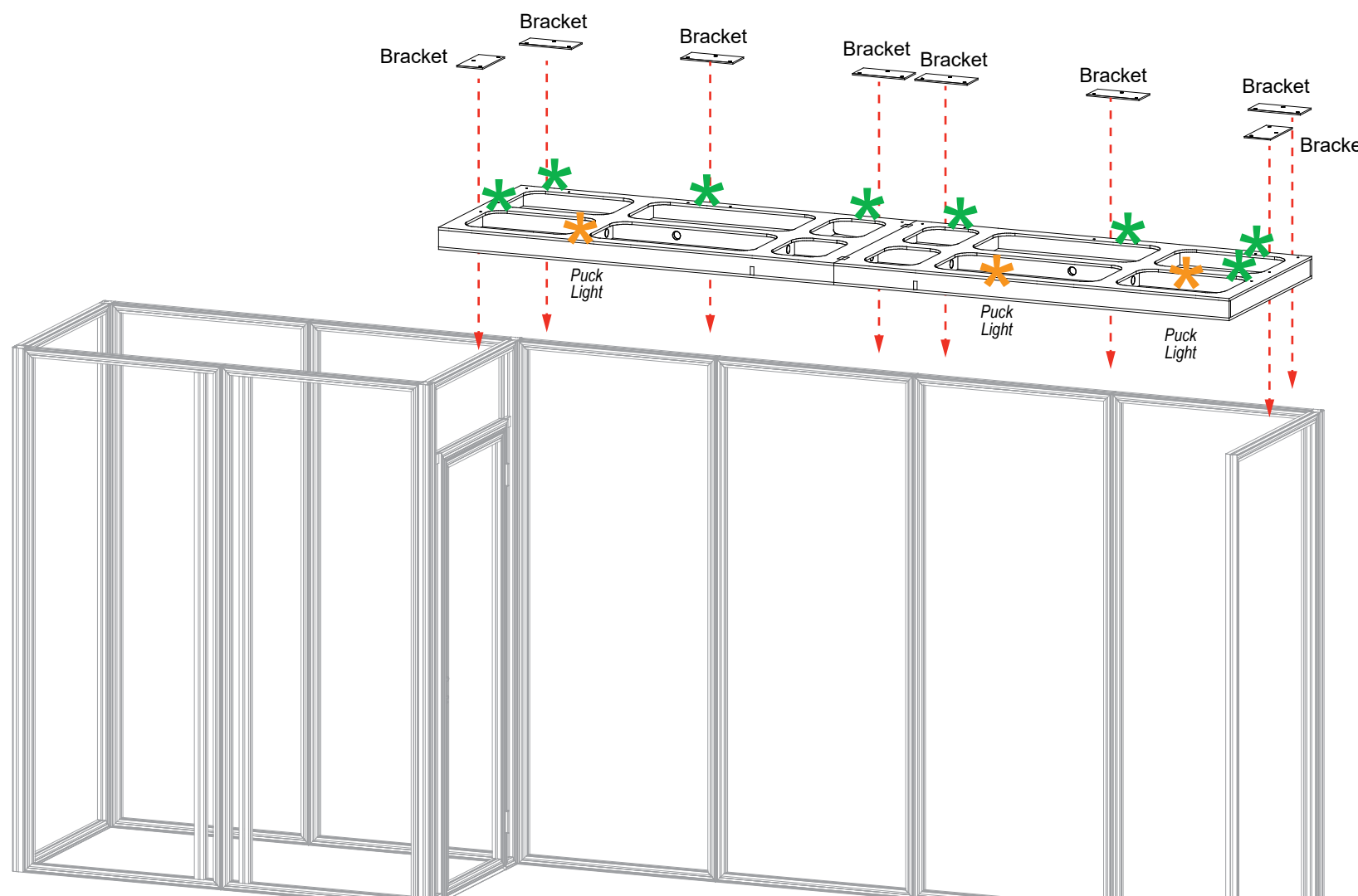
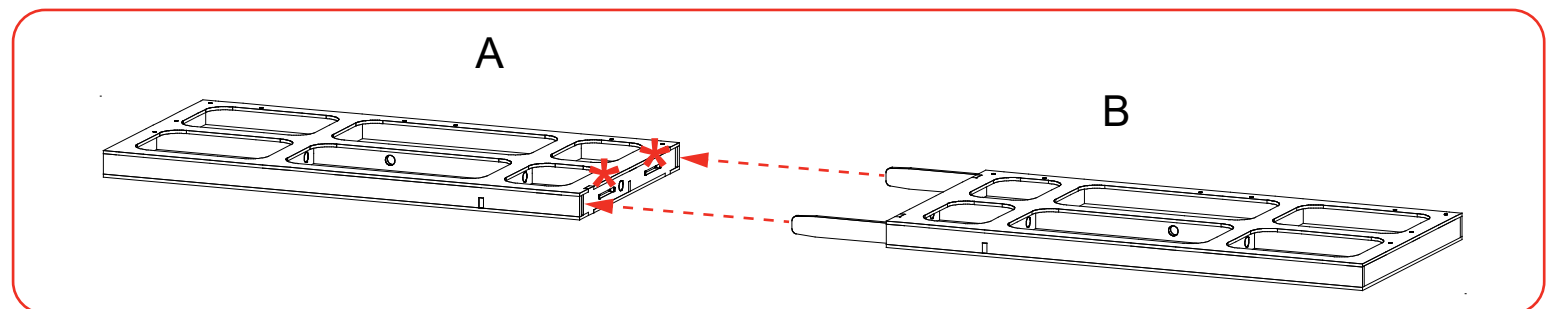
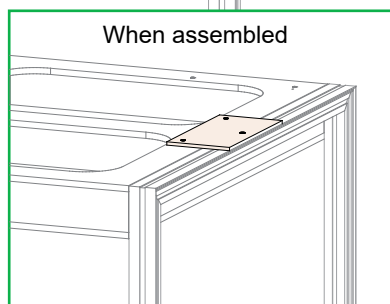
Attach bracket to T-nuts on top of canopy panel using bolts.



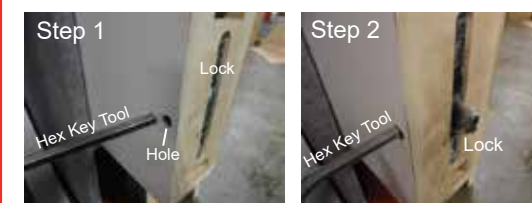
Attach V4 connector to top groove of Gravitee panel. Connect bracket to V4 using bolt.



When assembled



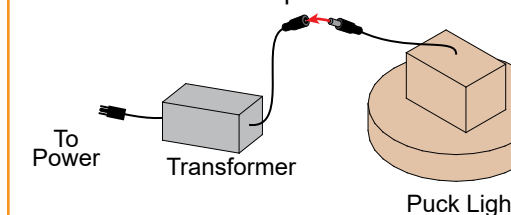
*** Roto Cam Lock Connection**



Place hex tool in hole on side of panel. Rotate to activate lock & secure panels together.

*** Puck Light Connection**

Connect transformer to puck lights, then attach transformer to power source.



Controlling the RGB LED lights

Static Mode:

1. Use the Color Ring key to select a color.
2. Saturation is controlled with W/R/G/B keys.
3. White mode is available by long-pressing 'ON' key.
4. Colors (not white) are dimmable with the Brightness key.

Dynamic Mode:

Press "M" key to cycle through the following options:

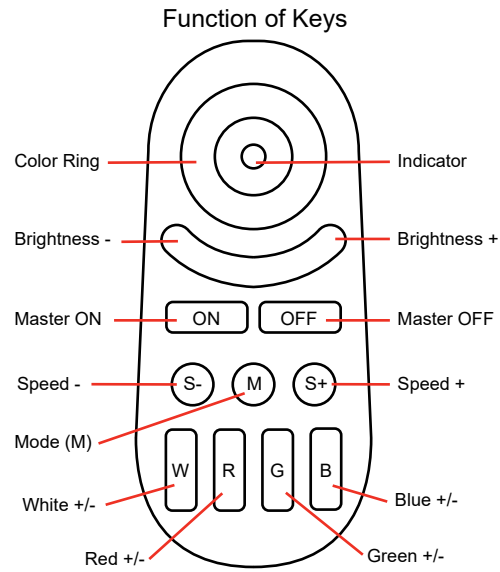
1. White light fades in and out.
2. Several colors fade in and out.
3. R,G,B three colors fade in and out.
4. R,G,B three colors flash.
5. Six colors flash.
6. Random color flashes.
7. Red color fades in and flashes.
8. Green color fades in and flashes.
9. Blue color fades in and flashes.

To Pair a Remote with Multiple Units:

1. Power on the lights.
2. Press 'ON' key within 3 seconds.
3. Lights will blink when link is made.

To unpair: Long press 'ON' key within 3 seconds after switching on lights.

Remotes can be paired with one or more receivers. Different receivers can work synchronously even when started at different times (within 30 min).

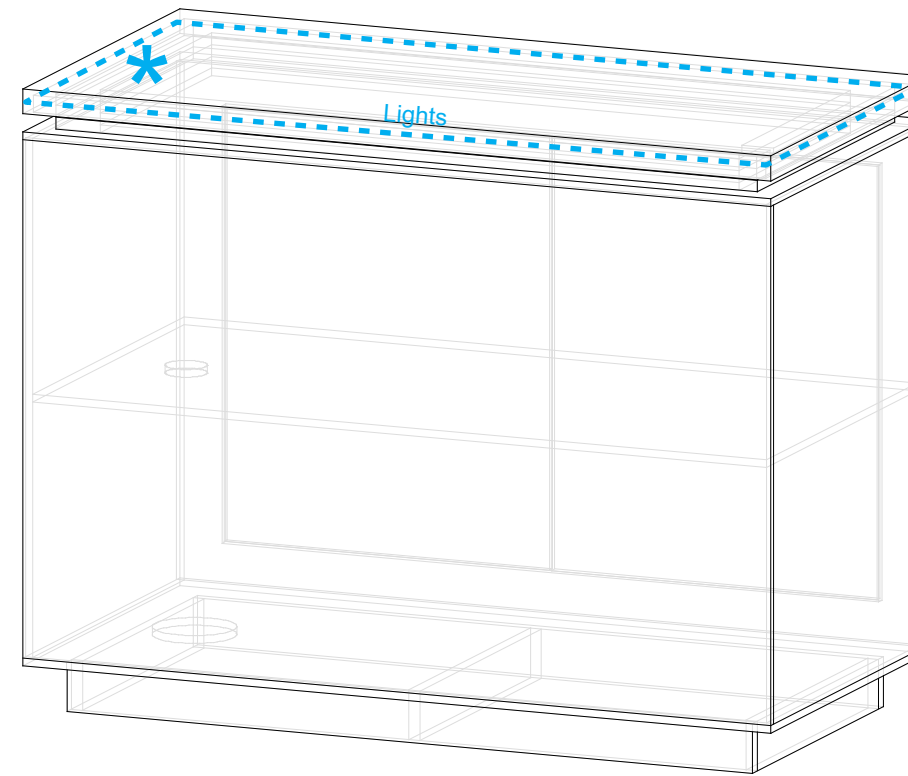


Specifications:

- | | |
|-------------------------------|-----------------------------|
| Receiver: | Remote Control: |
| 1. Working voltage: DC12V/24V | 1. Working voltage: 3V |
| 2. Output: Max. 6A/Channel | 2. Standby power: <20uA |
| 3. Total output Max. 10A | 3. Transmitting power: 6dBm |
| 3. Max standby power: 0.5W | |

Steps:

- 1) Connect power cords to LED Lights in Counters, as shown.



MOD-1596

*** RGB LED Power Cord Attachment**

Connect transformer to RGB LED Controller. Then connect transformer to power source.

